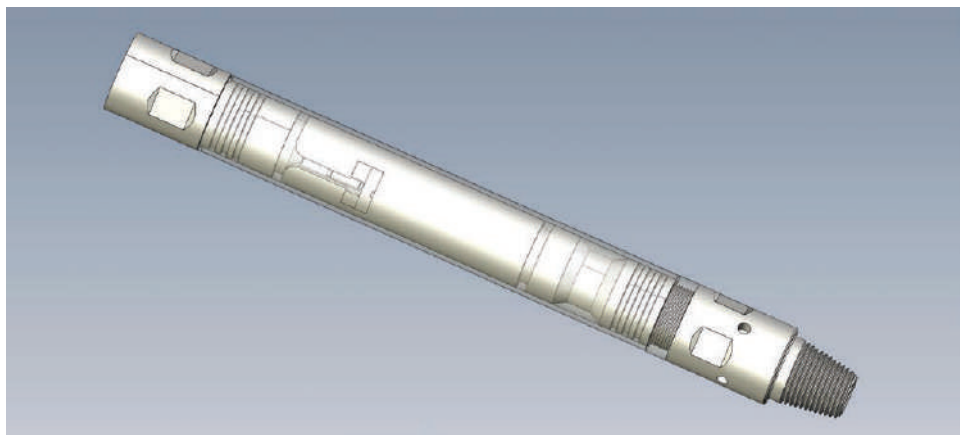
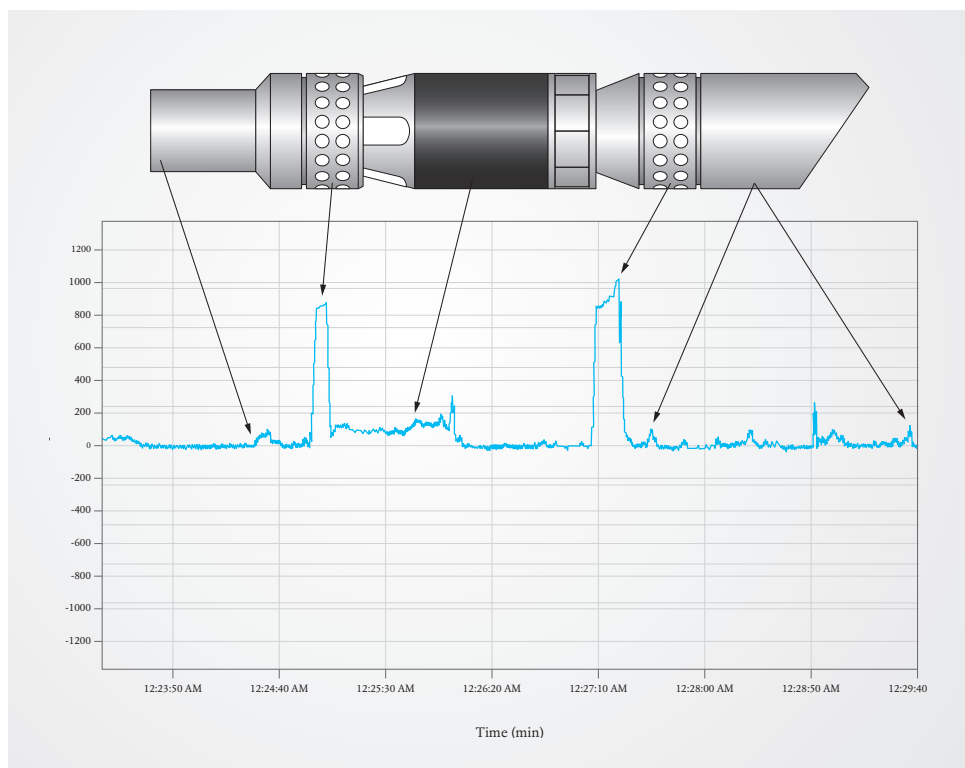


TRUSIGHT™ DOWNHOLE MEMORY TOOL LOGGING SERVICES



Nine Energy Service's TruSight Downhole Memory Tool Logging Services provides valuable insights into your downhole operations. The data is collected through our state of the art multi-sensor technology, which delivers accurate measurement values for Weight on Bit (WoB), Torque, Pressure, Temperature, inclination, side-loading, and multi-axis G-Force sensing. Utilizing the latest data mapping software, we combine these downhole measurements with the surface data acquisition to form a complete picture of in-well operations.

Through our TruSight Downhole Memory Tool Logging Services, you receive validation of operating practices and valuable information that will help you to optimize future well interventions.



Measured torque "signature" while milling Nine Energy Scorpion frac plug at 19,250 ft in well depth

Applications

- Plug Milling
- Cleanouts
- Perforating
- Fishing
- Stimulation
- Fracturing
- Mechanical Manipulation

Conveyance

- Coiled Tubing
- Jointed Pipe
- Snubbing

Sensor Package

- Weight on Bit
- Torque
- Pressure
- Temperature
- Dual axis G-force
- Inclination
- Side Load

Features and Benefits

- Confirm and analyze downhole events
- Optimize plug and BHA selection
- Plan next work based on actual results
- Correlation of wellbore friction factors
- Assessment of wellbore cleanout efficiency
- Evaluation of actual versus predicted weight on bit
- Assess forces from extended reach tools
- Validation of PDM torque output
- Verification of downhole tool functions
- Identify thief zones
- Pressure & temperature gradients
- Productivity Index analysis
- Dog Leg severity vs pipe stresses

TRUSIGHT™ DOWNHOLE MEMORY TOOL LOGGING SERVICES



Dimensions			
OD	2.875"	3.250"	3.500"
ID	1.000"	1.250"	1.750"
OAL	29.5"	29.5"	29.5"
Box thread	PAC	PAC	Reg/IF
Pin Thread	PAC	PAC	Reg/IF
Elastomers	Viton	Viton	Viton

Operating Envelope			
Pressure Rating	15,000 psi	15,000 psi	15,000 psi
Temperature Rating	350 F	350 F	350° F
Compression	60,000 lbs	100,000 lbs	120,000 lbs
Tensile	135,000 lbs	145,000 lbs	165,000 lbs
Torque	2,650 ft/lbs	3,500 ft/lbs	4,000 ft/lbs
Material	4330 HT	4330 HT	4330 HT
Operating Hours	100-140	100-140	100-140

Sensors		
Weight on Bit/Tension	K-Foil	+/- 100 lbs
Torque	K-Foil	+/- 25 lbs
Pressure	Paine	+/- 1 psi
Temperature	Paine	+/-1° F
G-Force	Accelerometer	+/- 0.1Gs
Inclination	Accelerometer	+/-1 degree
Side Load	K-Foil	+/- 200 lbs

*Specifications may change depending on size